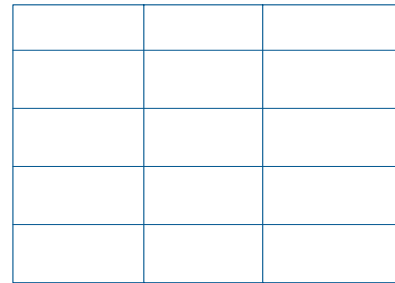
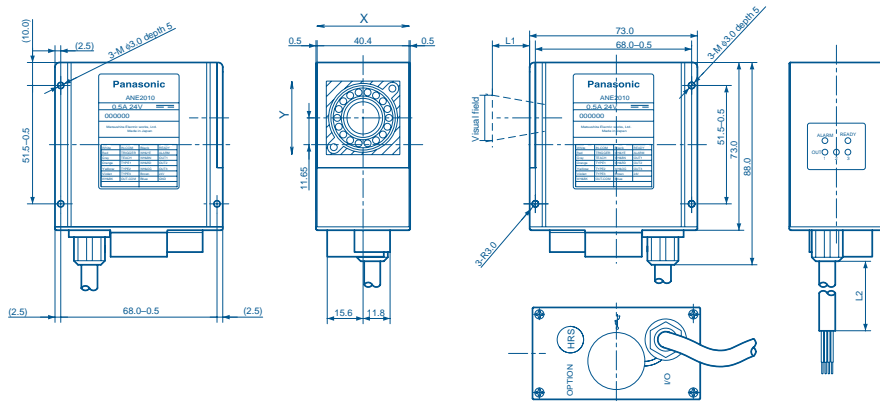


Dimensions

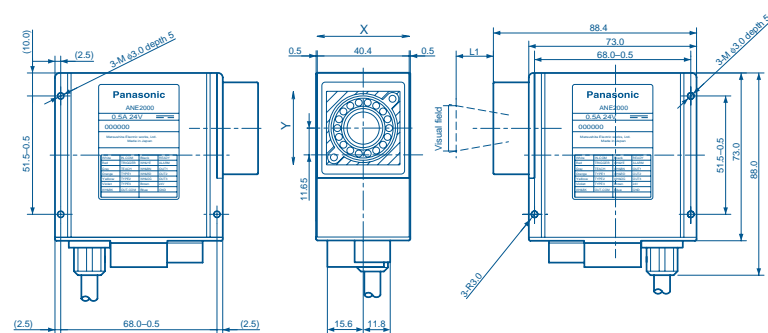


● Main Unit

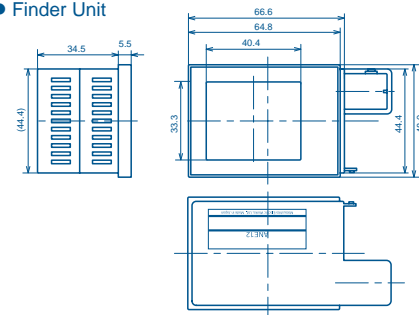
ANE2010 / ANE2020 / ANE2030



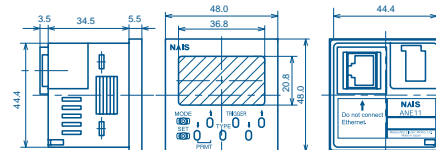
ANE2000



● Finder Unit



● Operation Unit



● The monitor displays shown in this catalog are all synthesized for demonstration purposes only.

Internet Homepage

- ◆ North America : <http://www.aromat.com/>
- ◆ Europe : <http://www.mew-europe.com/>
- ◆ Asia & others : <http://www.nais-e.com/>
- (Japanese) : <http://www.mac-j.co.jp/>
- (Chinese) : <http://www.cmew.com/cn/>

These materials are printed on ECF pulp.
These materials are printed with earth-friendly vegetable-based (soybean oil) ink.



Please contact.....

Matsushita Electric Works, Ltd.

Automation Controls Company

- Head Office: 1048, Kadoma, Kadoma-shi, Osaka 571-8686, Japan
- Telephone: +81-6-6908-1050
- Facsimile: +81-6-6908-5781
- <http://www.nais-e.com/>

All Rights Reserved © 2005 COPYRIGHT Matsushita Electric Works, Ltd.