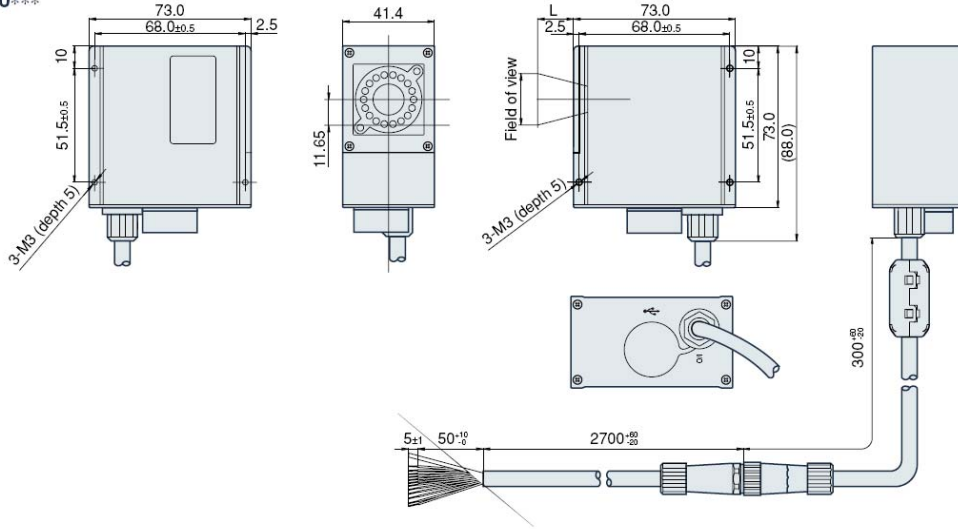
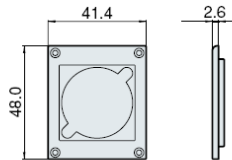


Dimensions (Unit: mm)

● PD60
ANPD060***



● PD60 front panel (option)
ANPD068-P1



● PD60 Series power supply I/O cable (option)
ANPD068-K1

